

Incremental encoders

Through hollow shaft $\varnothing 17$ to $\varnothing 27$ mm
200...2048 pulses per revolution

ITD 40 A 4 Y22



ITD 40 A 4 Y22 with through hollow shaft

Features

- Encoder with through hollow shaft $\varnothing 17...27$ mm
- Max. 2048 pulses per revolution
- Optical sensing method
- Through hollow shaft
- Mounting by torque support
- TTL or HTL output signals
- Cable output radial

Optional

- Cable with connector
- Extended operating temperature range

Technical data - electrical ratings

Voltage supply	5 VDC $\pm 5\%$ 8...30 VDC
Reverse polarity protection	Yes
Consumption w/o load	≤ 100 mA
Pulses per revolution	200...2048
Reference signal	Zero pulse, width 90°
Sensing method	Optical
Output frequency	≤ 120 kHz
Output signals	A, B, N + inverted
Output stages	TTL linedriver (short-circuit proof) HTL push-pull (short-circuit proof)
Interference immunity	DIN EN 61000-6-2
Emitted interference	DIN EN 61000-6-3

Technical data - mechanical design

Size (flange)	$\varnothing 80$ mm
Shaft type	$\varnothing 17...27$ mm (through hollow shaft)
Motor shaft tolerance	0.25 mm axial 0.1 mm radial
Mounting kit	050
Protection DIN EN 60529	IP 65
Operating speed	≤ 5000 rpm ≤ 3000 rpm IP 65 ($>70^\circ\text{C}$)
Starting torque	≤ 0.015 Nm ($+20^\circ\text{C}$)
Materials	Housing: aluminium, black, powder-coated Shaft: stainless steel
Operating temperature	$-20...+70^\circ\text{C}$ $-20...+100^\circ\text{C}$
Relative humidity	90 % non-condensing
Resistance	DIN EN 60068-2-6 Vibration 10 g, 55-2000 Hz DIN EN 60068-2-27 Shock 100 g, 11 ms
Connection	Cable 1 m
Weight approx.	580 g

Incremental encoders

Through hollow shaft $\varnothing 17$ to $\varnothing 27$ mm
200...2048 pulses per revolution

ITD 40 A 4 Y22

Part number

ITD 40 A 4 Y22

		NI	KR1			050
--	--	----	-----	--	--	-----

Mounting kit
050 Mounting kit 050

Protection
IP54 IP 54
IP65 IP 65

Through hollow shaft
20 $\varnothing 20$ mm
25 $\varnothing 25$ mm

Operating temperature
S -20...+70 °C
E -20...+100 °C

Connection
KR1 Cable 1 m, radial

Output signals
NI A, A inv, B, B inv, 0, 0 inv

Voltage supply / signals
T 5 VDC / TTL level, linedriver
H 8...30 VDC / HTL level, push-pull
R 8...30 VDC / TTL level, linedriver

Pulse number - see table

Pulse number

200	500	720	1024
360	512	1000	2048

Other diameters on request.

Incremental encoders

Through hollow shaft $\varnothing 17$ to $\varnothing 27$ mm

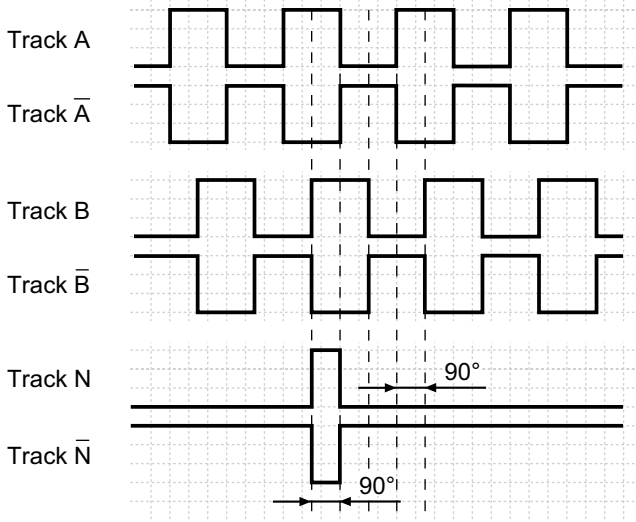
200...2048 pulses per revolution

ITD 40 A 4 Y22

Output signals

Clockwise rotation when looking at the mounting side.

NI-Output signals



Terminal assignment

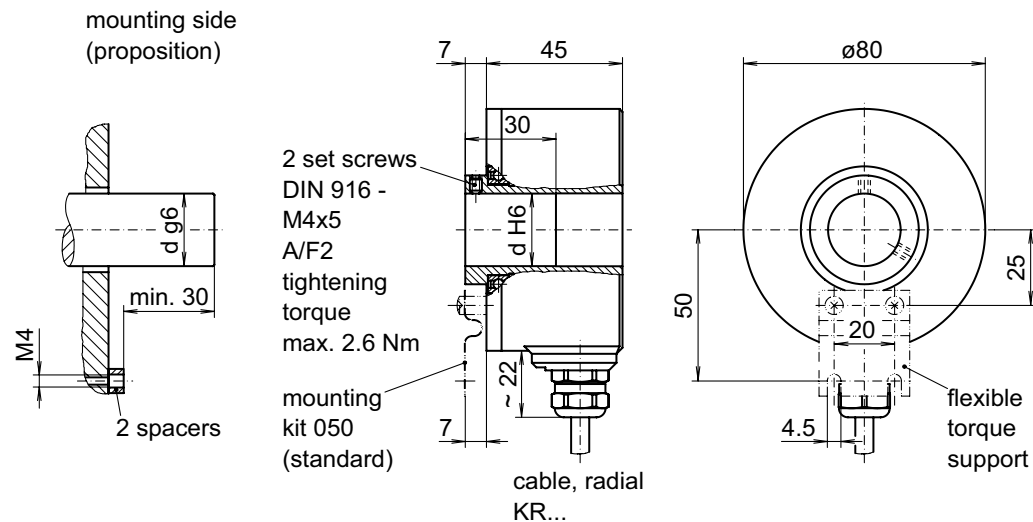
Core colour	Assignment
brown	Track A
green	Track A inv.
grey	Track B
pink	Track B inv.
red	Track N
black	Track N inv.
brown 0,5 mm ²	UB
white 0,5 mm ²	GND
blue	UB-Sense
white	GND-Sense
transparent	Shield/Housing

Trigger level

Outputs	Linedriver
Output level High	≥ 2.4 V
Output level Low	≤ 0.5 V
Load	≤ 70 mA

Outputs	Push-pull short-circuit proof
Output level High	$\geq UB - 3$ V
Output level Low	≤ 1.5 V
Load	≤ 70 mA

Dimensions



026-5 Y22

Incremental encoders
Through hollow shaft $\varnothing 17$ to $\varnothing 27$ mm
200...2048 pulses per revolution

ITD 40 A 4 Y22